

# 10/100 BASE-T SINGLE PORT SURFACE MOUNT MAGNETICS

With Various Turns Ratios

Features :

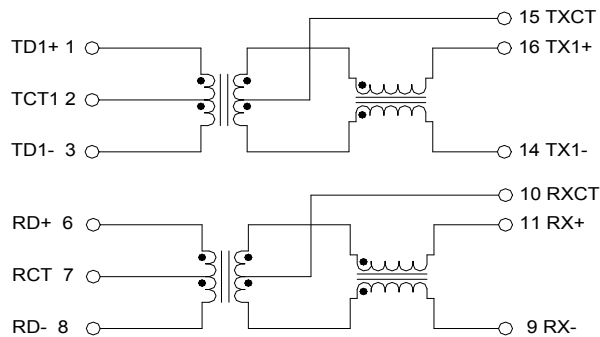
- 1 ) Meets IEEE 802.3 and ANSI X3.263 standards, including 350µH OCL with 8mA DC bias .
- 2 ) Designed for reflow soldering at peak temperatures 250°C.
- 3 ) Compact footprint for use in the most space-restrictive applications .

## FW-3102SD

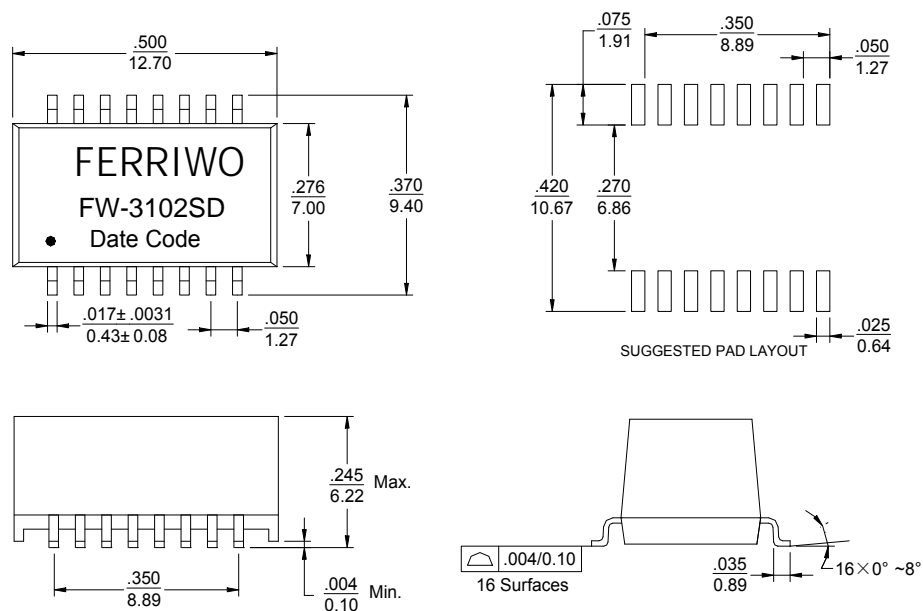
A ) Electrical Specifications @ 25°C --- Operating temperature 0°C To 70°C .

Turns Ratio		Insertion Loss (dB)	Return Loss (dB TYP)			Differential to Common Mode Rejection (dB TYP)			Crosstalk (dB TYP)			Hi-Pot Vrms Min.
TX	RX		30MHz	60MHz	80MHz	30MHz	50MHz	100MHz	30MHz	60MHz	100MHz	
1:1	1:1	-1.1	-18	-14	-11.5	-42	-37	-33	-45	-40	-35	1500

B ) Schematics



C ) Mechanical Dimensions ( Unit: inches / mm )



Unless otherwise specified, all tolerances are ±.010 / 0.25